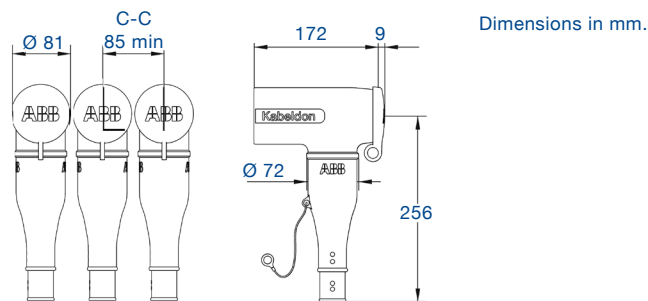


Premolded screened separable cable connector

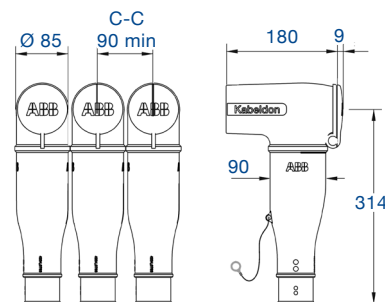


CSE-A 12630, CSE-A 24630

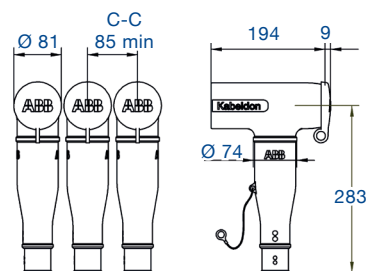
CSE-A 36630, CSE-A 42630



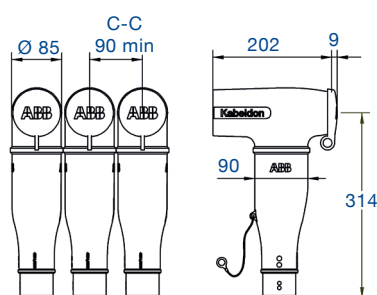
CSE-A 630 A, 12 – 24 kV, sizes 1 – 2



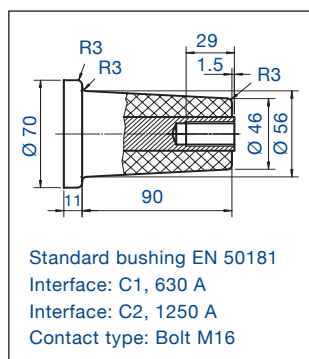
CSE-A 630 A, 12 – 24 kV, size 3



CSE-A 630 A, 36 – 42 kV sizes 1 – 2.



CSE-A 630 A, 36 – 42 kV size 3.



Application areas

Premolded screened separable connector for XLPE- and EPR-insulated 1- or 3-core cables with Al- or Cu-conductors for 12 – 42 kV. Can be installed both indoors and outdoors.

Fits standard bushings of outer cone type according to EN 50181. Connector with rated current:

- 630 A: Interface C1 with bolt M16.
- 1250 A: Interface C2 with bolt M16.

Standard

Meets the requirements of:

- CENELEC, HD 629.1 S2

Design

CSE-A is manufactured in rubber with three layers; a conductive inner layer, an insulation layer and a conductive outer layer, that are vulcanized together for the best possible interface between the layers.

The cable connector includes both a capacitive test point with protection and an integrated earthing wire.

- Delivered in 3-phase kits, complete with cable lugs, bolt connection and stress grading adapter, designed to ensure a reliable installation.

Note:

- For 3-core cables with common Cu-screen wires, a screen separation kit or a branch seal kit must be used. To be ordered separately.

Always select products by Insulation diameter.

Voltage kV	Insulation diameter mm	Conductor cross section mm ²	Designation	Weight kg/unit
12	13–20	25–70	CSE-A 12630-01	5.1
12	18.5–30.5	95–300	CSE-A 12630-02	5.5
12	30.5–45	400–630	CSE-A 12630-03	7.7
24	17–24	25–70	CSE-A 24630-01	5.1
24	22.5–35	95–300	CSE-A 24630-02	5.5
24	30.5–45	400–630	CSE-A 24630-03	7.7
36	24.5–34	50–95	CSE-A 36630-01	6.1
36	27.5–42	95–300	CSE-A 36630-02	6.6
36	38.0–55	400–630	CSE-A 36630-03	8.7
42	24.5–34	50–70	CSE-A 42630-01	6.1
42	27.5–42	95–300	CSE-A 42630-02	6.6
42	38–55	400–630	CSE-A 42630-03	8.7

Cable connector complete with screen separation kit

12	13–20	25–70	CSE-A 12630-01 P	8.4
12	18.5–30.5	95–300	CSE-A 12630-02 P	9.4
24	17-24	50–70	CSE-A 24630-01 P	9
24	22.5–35	95–300	CSE-A 24630-02 P	9.4
36	23–34	50–95	CSE-A 36630-01 P	10
36	27.5–42	95–300	CSE-A 36630-02 P	1.4