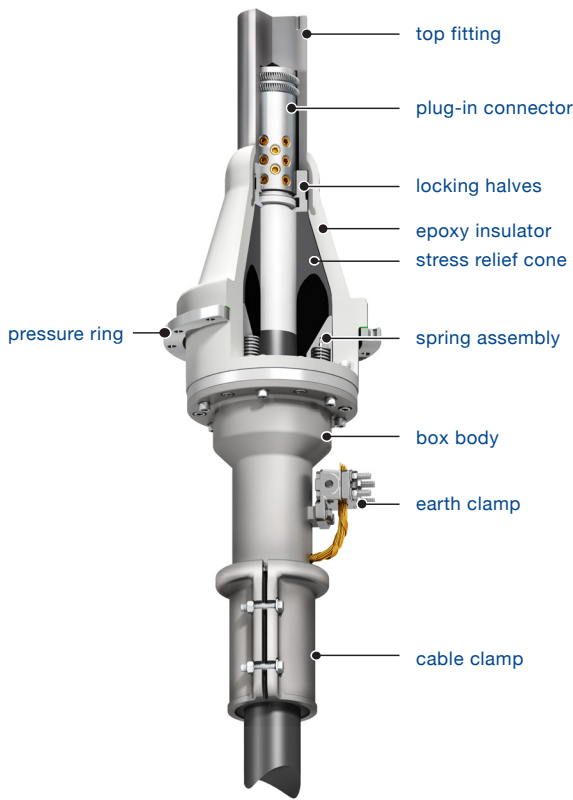


# Dry plug-in termination for gas-insulated switchgear or transformer



1. CD 145–170, connector kit.

2. CDI 145–170, Insulator kit.

### Use

Dry cable termination suitable as a fixed connection point in a gas-insulated switchgear, a transformer without a separate cable box or where the cable box is filled with transformer oil.

### Standard

Meets the requirements of:

- IEC 60840
- Dimensions according to IEC 62271-209, dry-type design

### Design

- The cable termination is to be ordered in two separate kits:
1. CD 145, CD 170; plug-in connector kit consisting of plug-in connector, locking halves, stress cone, pre-loaded spring assembly, box body, earth clamp and cable clamp.
  2. CDI 145, CDI 170; insulator kit consisting of top fitting, epoxy insulator with integrated screen separation and pressure ring.

For the maximum permitted diameter over the oversheath of the cable and the diameter over prepared insulation, see the table below.

### The following cable data should be stated when ordering, see page 5/1:

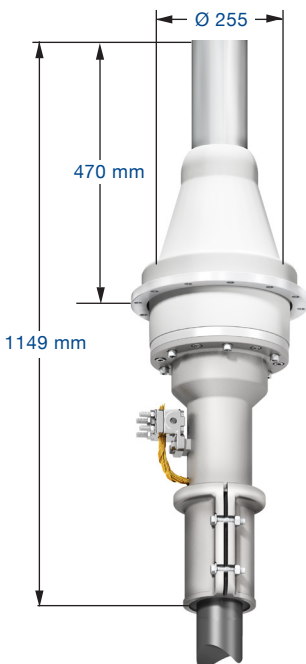
- Voltage
- Diameter over prepared insulation
- Conductor cross section
- Conductor material, copper or aluminium
- Screen, sheath design and cross section
- Overall cable diameter
- Optical fibres integrated in screen

Insulation diameter		Conductor	Outer sheath	
min	max	Cu/Al	CUW	PAL, MET
mm		mm <sup>2</sup>	Ø	mm
44	96	300–2000	150	130

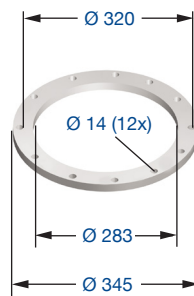
Voltage level kV	Designation	Description	Standard dimensions	Gross weight kg/kit
145	CD 145	Plug-in connector kit	IEC 62271-209	33
145	CDI 145	Insulator kit	IEC 62271-209	30
170	CD 170	Plug-in connector kit	IEC 62271-209	33
170	CDI 170	Insulator kit	IEC 62271-209	30

# Technical specification and accessories

Dimensions in mm



The insulator CDI fits diameter 255 mm as per standard IEC 62271-209.



Pressure ring for CDI 145, included in the kit.

### For connecting CD 145–170 kV to a transformer To be ordered separately



CST 170  
Corona shield. (optional)



CBT  
Contact bolt. (optional)

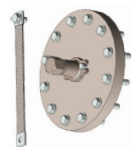


ECDI  
IEC Extension adapter will extend the insert depth to 757 mm, to meet dimensions according to fluid-type design, Figure 3 in IEC 62271-209.

### To be ordered separately

Designation	Description
CST 170	Corona shield
CBT 84-170	Contact bolt for Transformer
ECDI	Extension for CDI 145/170

### Accessories, to be ordered separately



IPC  
Protective cover for insulator CDI.



SH 80, SH 130  
Tool for peeling and stripping of XLPE-insulation and outer conductive layer.



FK-SH 80, FK-SH 130  
Spare peeling blade to be used with SH 80 and SH 130.



RKM 145  
Installation tool.



OKT  
Optical fiber kit for cables with integrated optical fibers in the screen.



IK-SH 80, IK-SH 130  
Spare stripping blade to be used with SH 80 and SH 130.



SLK-SH 80, SLK-SH 130  
Slot knife for peeling and stripping tool SH80 and SH130. To be used to make the slot in the XLPE-insulation of the cable.



BSL-SH 130  
Base plate for slot knife SLK-SH 130 and stripping blade IK-SH 130.

Designation	Description
IPC	Installation protective cover
RKM 145	Installation tool
OKT	Optical fiber kit
JSA, SCK*	Earthing kit, se page 2/30

\* NB: if earthing kit is required, this increases the cable outer diameter Ø by 20 mm.

Designation	Description
SH 80, SH 130	Peeling and stripping tool
IK-SH 80, IN-SH 130	Spare stripping blade
FK-SH 80, FK-SH 130	Spare peeling blade
SLK-SH 80, SLK-SH 130	Spare stripping blade
BSL-SH 130	Base plate for slot knife; only for SH 130.