

Premolded screened separable cable connector



CSE-A 12400



CSE-A 24400

Application areas

Premolded screened separable connectors for XLPE- and EPR-insulated 1- or 3-core 12 – 24 kV cables with Al- or Cu-conductors with copper tape screens, with or without aluminium or steel wire armouring. Can be installed both indoors and outdoors.

Fits standard bushings of outer cone type according to EN 50181. Connector with rated current:

- 400 A: series 400 interface type B with plug-in Ø 14 mm.

Standard

Meets the requirements of:

- CENELEC, HD 629.1 S2

Design

CSE-A is manufactured in rubber with three layers; a conductive inner layer, an insulation layer and a conductive outer layer, that are vulcanized together for the best possible interface between the layers.

The cable connectors include both a capacitive test point with protection and an integrated earthing wire.

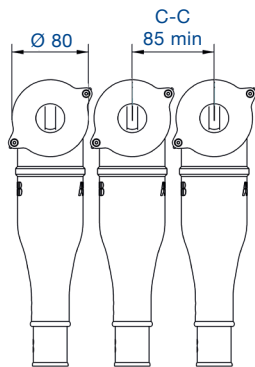
- Delivered in 3-phase kits, complete with cable lugs, bolt connection, earthing kit and stress grading adapters. The adapters are designed to ensure a reliable installation.

Note:

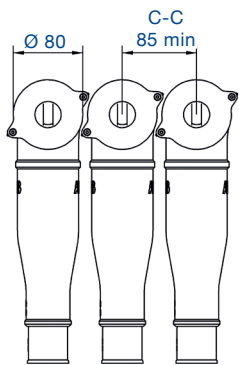
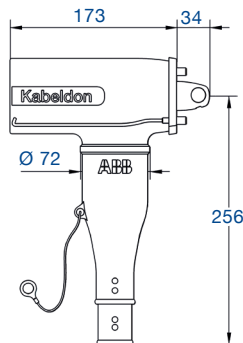
- For 3-core cables, a branch seal kit is included.

Always select products by Insulation diameter.

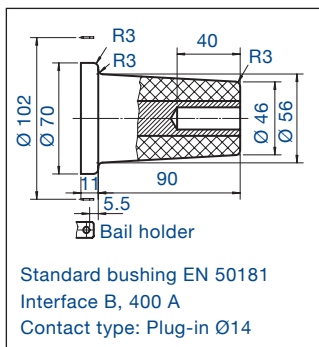
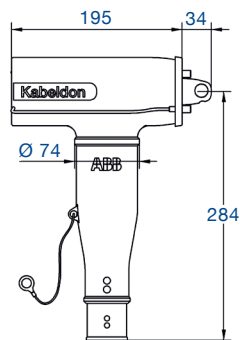
Dimensions in mm.



CSE-A 400 A, 12 – 24 kV



CSE-A 400 A, 36 – 42 kV



Voltage	Insulation diameter	Conductor cross section	Designation	Rated current	Weight
kV	mm	mm ²		A	kg/unit
12	13–20	25–70	CSE-A 12400-01	400	6.1
12	18.5–30.5	95–300	CSE-A 12400-02	400	6.6
24	17–24	25–70	CSE-A 24400-01	400	6.1
24	22.5–35	95–300	CSE-A 24400-02	400	6.6
36	24.5–34	50–95	CSE-A 36400-01	400	6.1
36	27.5–42	95–300	CSE-A 36400-02	400	6.6
42	24.5–34	50–70	CSE-A 42400-01	400	6.1
42	27.5–42	95–300	CSE-A 42400-02	400	6.6