

# Shrouded termination, 630 A



### Use

For XLPE- and EPR-insulated 1- or 3-core cables with Al or Cu conductor for 12–24 kV.

KAP can be used to connect a cable to gas-insulated switchgear and in other compact installations, as well as for substation transformers. To be used indoors only.

### Standards

Meets the requirements of:

- SEN 24 14 34
- SS 424 14 17 Edition 4

### Design

KAP is an insulated connector made of rubber. It is supplied complete with cable termination and bolt cable lug. The covers are provided with a removable plastic plug to allow direct voltage testing on the conductor.

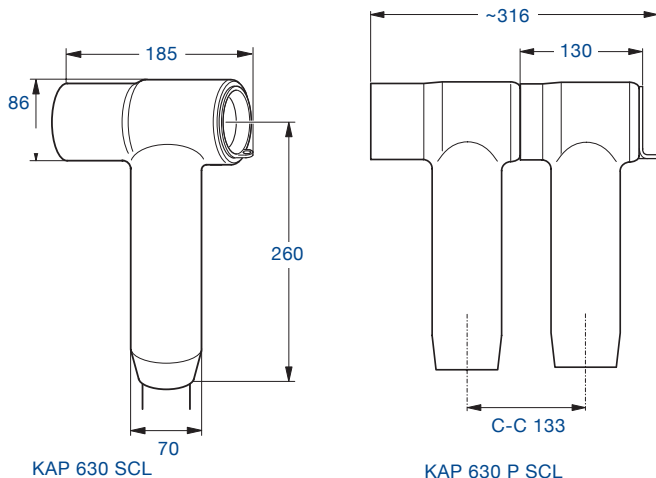
Also available for parallel installation. The connectors are supplied in 3-phase kits.

### Note:

- For 3-core cables with common Cu-screen wires, a screen separation kit or a branch seal kit must be used.
- For plug-in connector 250 A or 400 A, choose CSE-A.

**Always select products by Insulation diameter.**

Dimensions in mm.



KAP 630 SCL

KAP 630 P SCL  
Installed in parallel  
with KAP 630 SCL.

Type	Insulation diameter Ø mm	Conductor cross section		Designation	Connection type	Weight kg/item
		12 kV mm <sup>2</sup>	24 kV			
Standard	15–25	50–150	25–95	KAP 630-1 SCL 3	Bolt M16	2.2
Standard	24–37	185–300	120–300	KAP 630-2 SCL 5	Bolt M16	2.5
Parallel	15–25	50–150	25–95	KAP 630 P-1 SCL 3	Bolt M16	2.5
Parallel	24–37	185–300	120–300	KAP 630 P-2 SCL 5	Bolt M16	2.5